

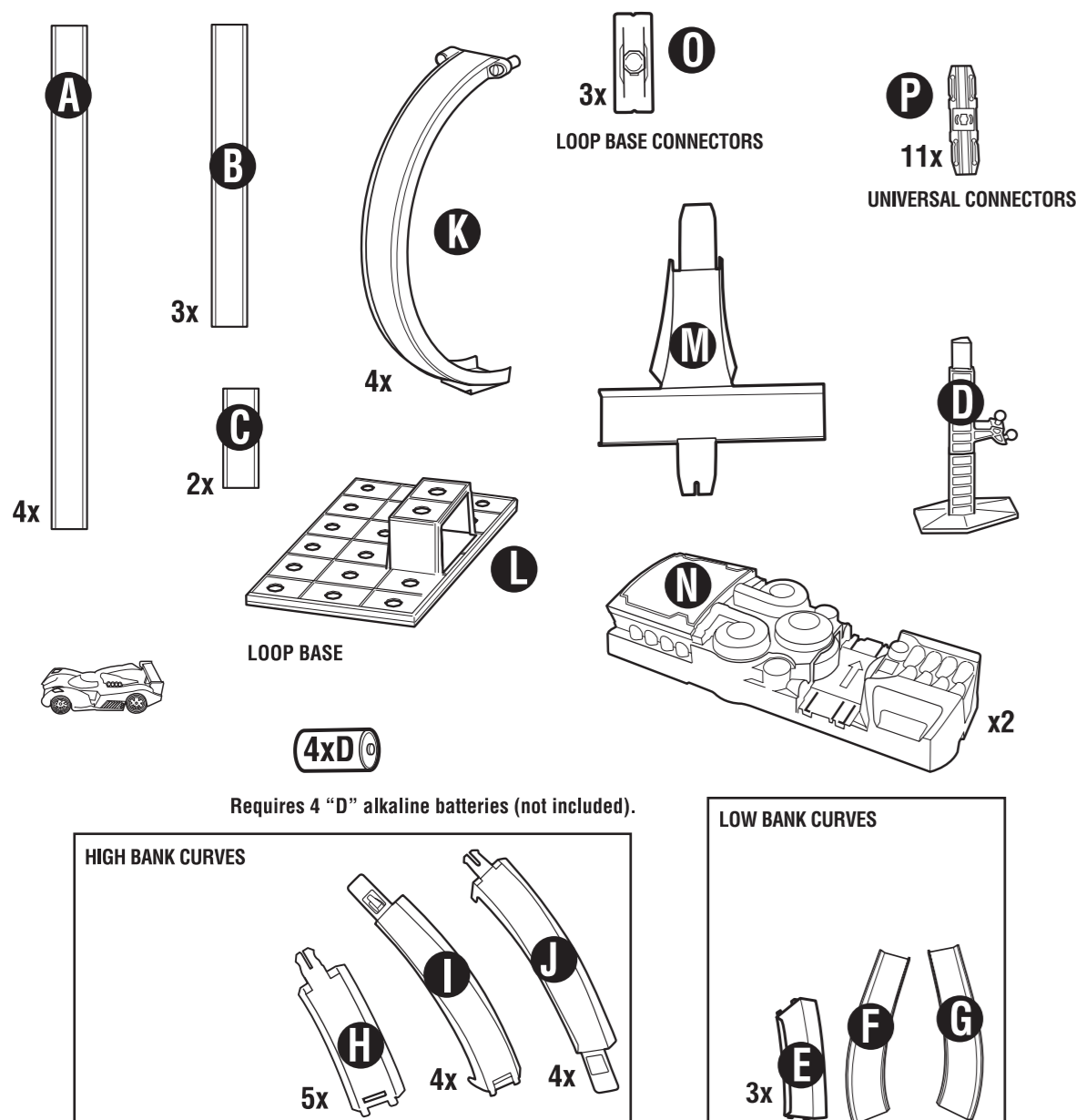


INSTRUCTIONS

YOZ67-0920
5+
MATEL

Keep these instructions for future reference as they contain important information.

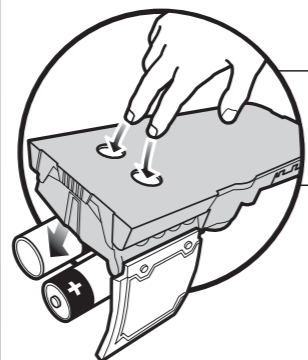
CONTENTS



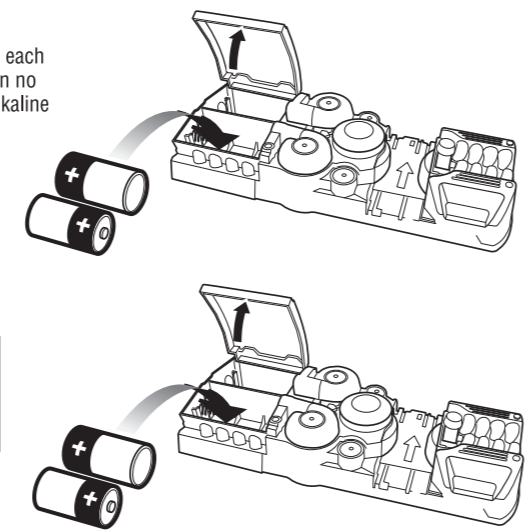
© 2009 Mattel, Inc. All Rights Reserved.

BATTERY INSTALLATION / REPLACEMENT

Lift battery covers and insert 2 "D" size alkaline batteries (not included) into each booster as shown. Close covers. Replace the batteries when the booster can no longer propel a car through the track set. For best performance, use only alkaline batteries.



Push fingers through holes on bottom to remove batteries.



BATTERY SAFETY INFORMATION

In exceptional circumstances batteries may leak fluids that can cause a chemical burn injury or ruin your product. To avoid battery leakage:

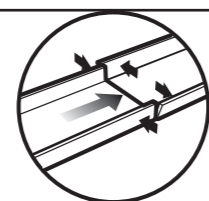
- Non-rechargeable batteries are not to be recharged.
- Rechargeable batteries are to be removed from the product before being charged (if designed to be removable).
- Rechargeable batteries are only to be charged under adult supervision (if designed to be removable).

- Do not mix alkaline, standard (carbon-zinc), or rechargeable (nickel-cadmium) batteries.
- Do not mix old and new batteries.
- Only batteries of the same or equivalent type as recommended are to be used.
- Batteries are to be inserted with the correct polarity.
- Exhausted batteries are to be removed from the product.
- The single terminals are not to be short-circuited.
- Dispose of batteries safely.
- Do not dispose of this product in a fire. The batteries inside may explode or leak.

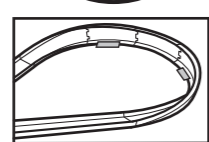
Protect the environment by not disposing of this product with household waste (2002/96/EC). Check your local authority for recycling advice and facilities.

Follow the diagrams to build 10 different layouts. Use your imagination to build more layouts! Universal connectors are used to connect low bank curves and straight track. Low-bank curves are used to slow the vehicle down, like before heading into the booster. High-bank curves are used for fast curves.

OPERATING TIPS

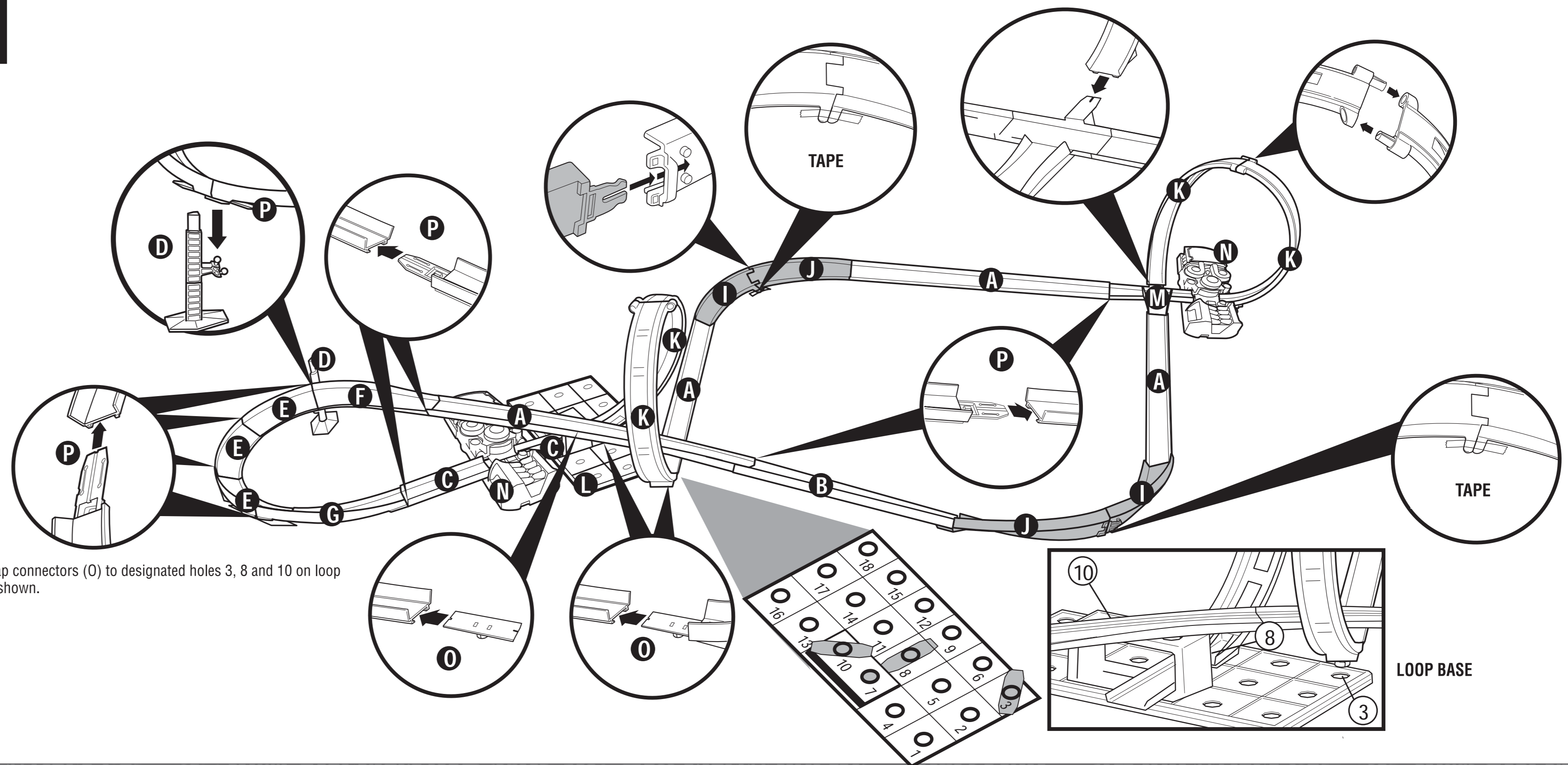


Adjust track side walls at each connection point as shown.

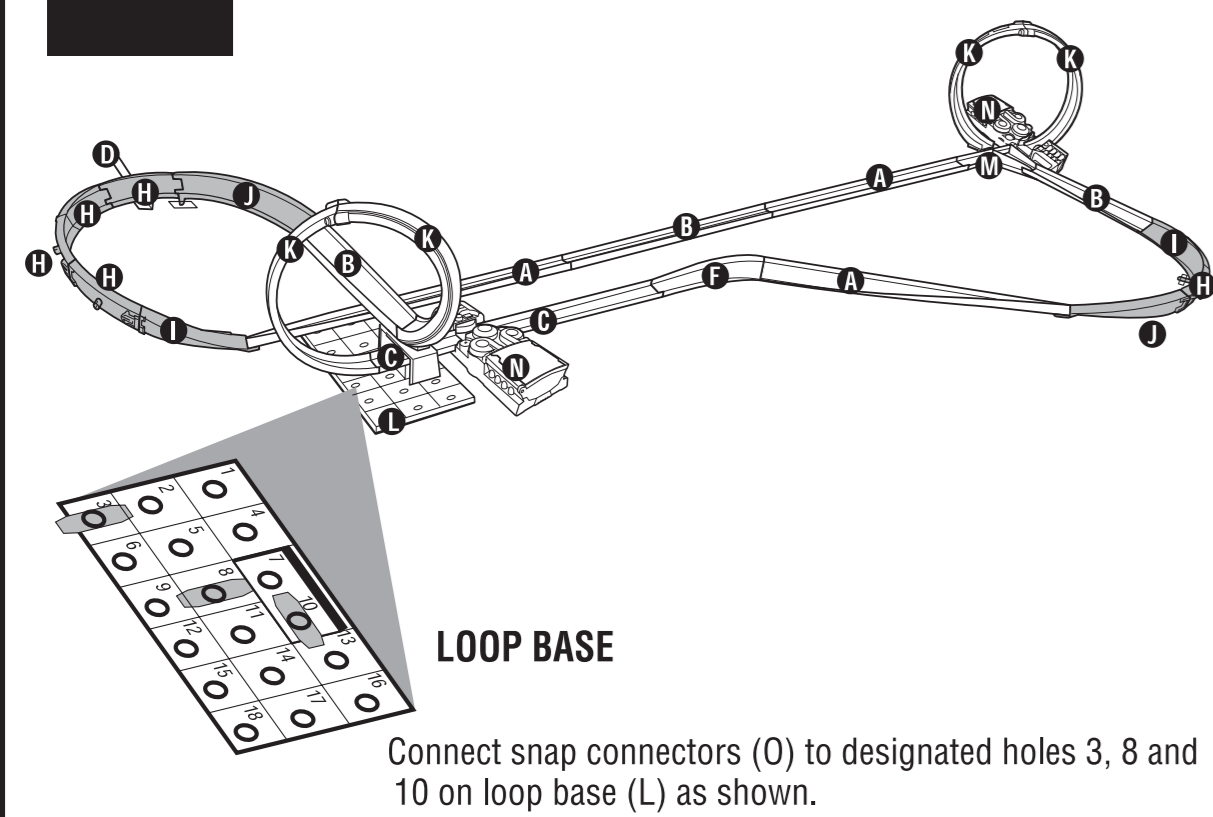


TO STABILIZE SET: On carpet, use books. On smooth floor, tape base to surface.

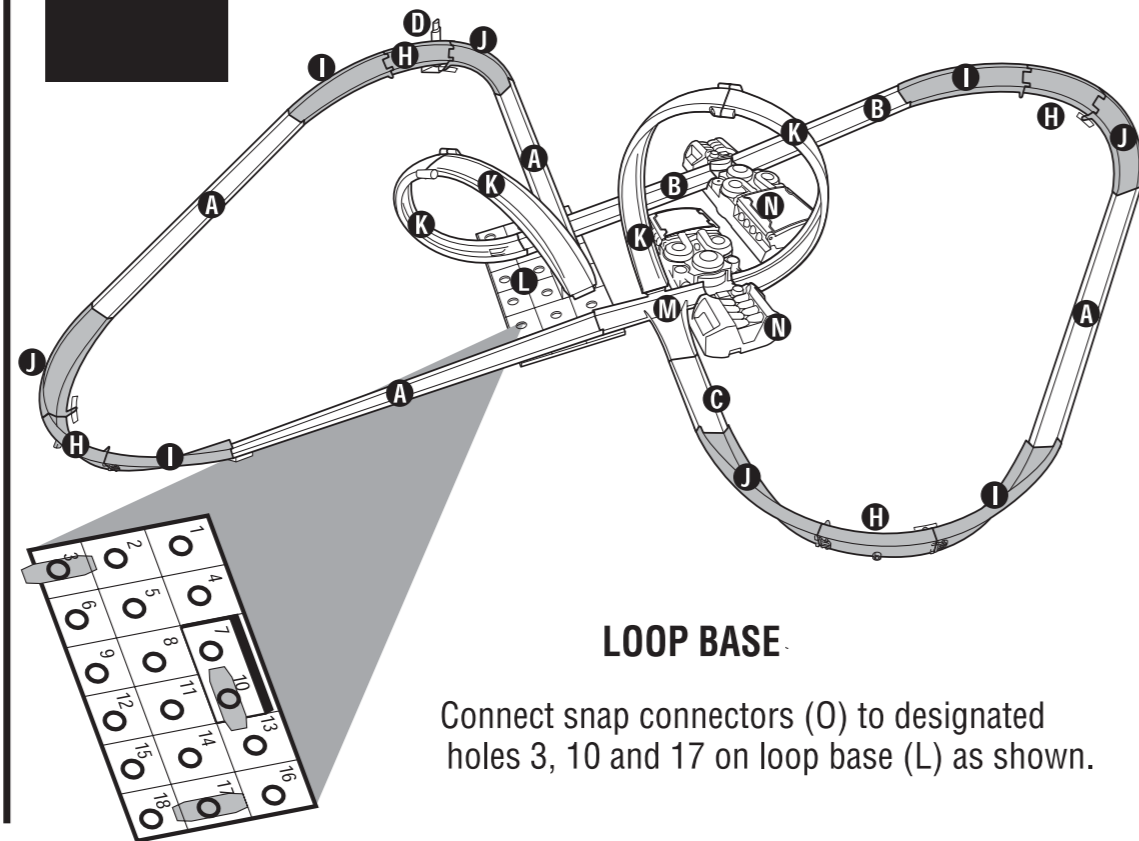
Option (1)



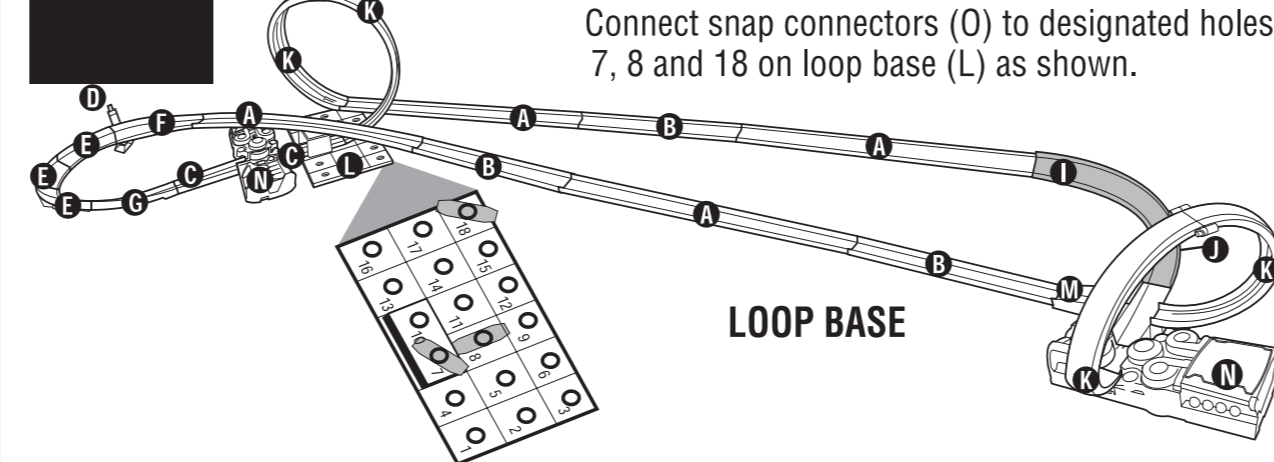
Option (2)



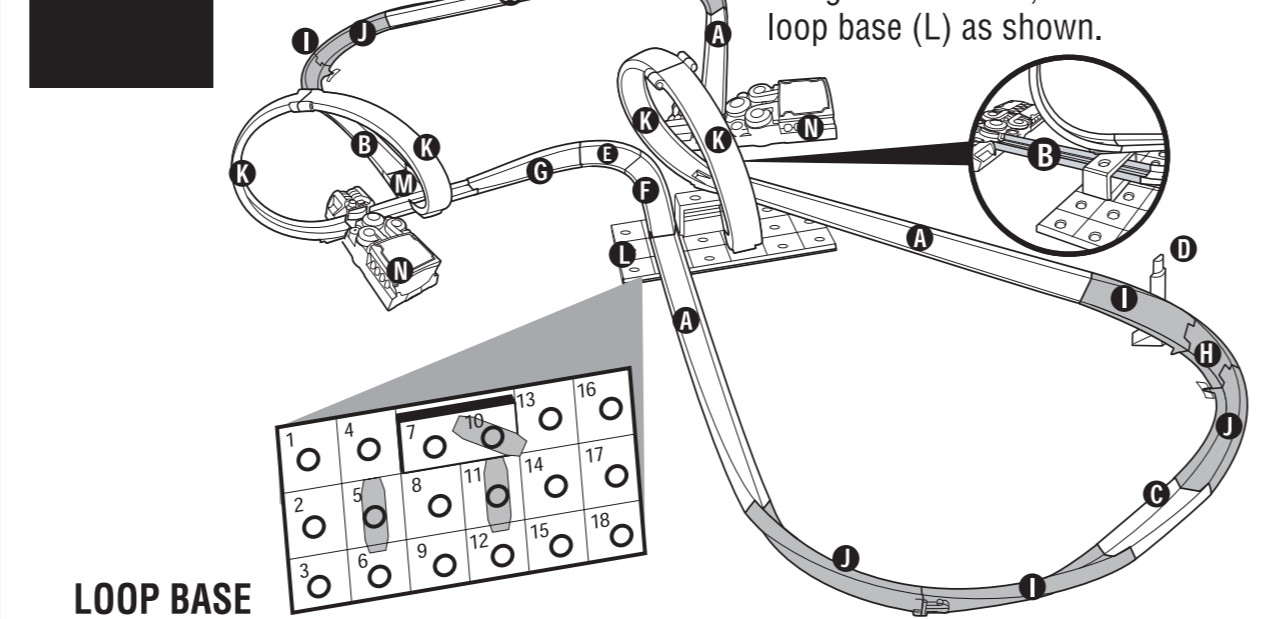
Option (4)



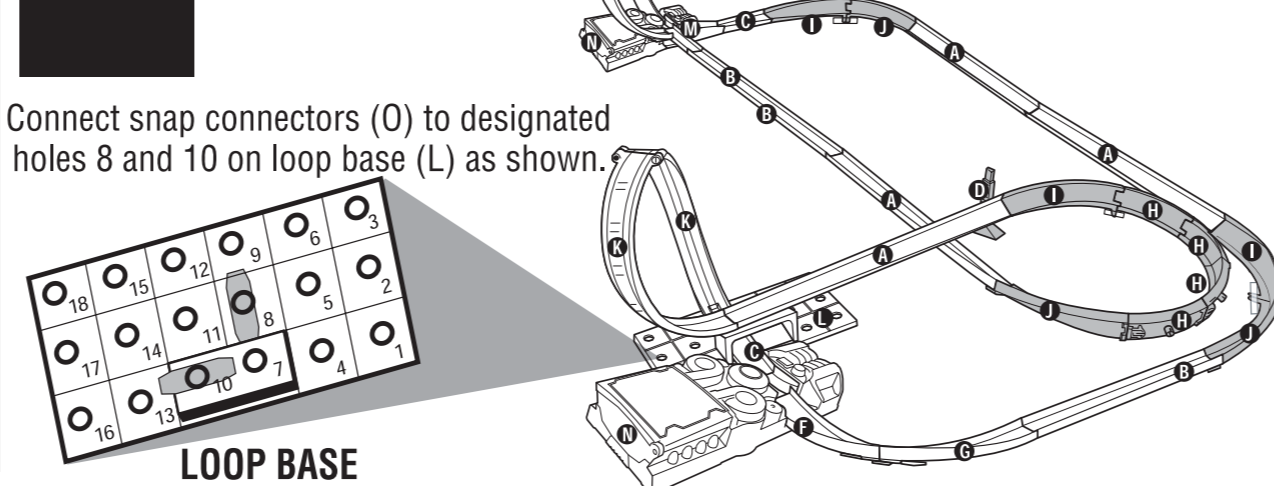
Option (6)



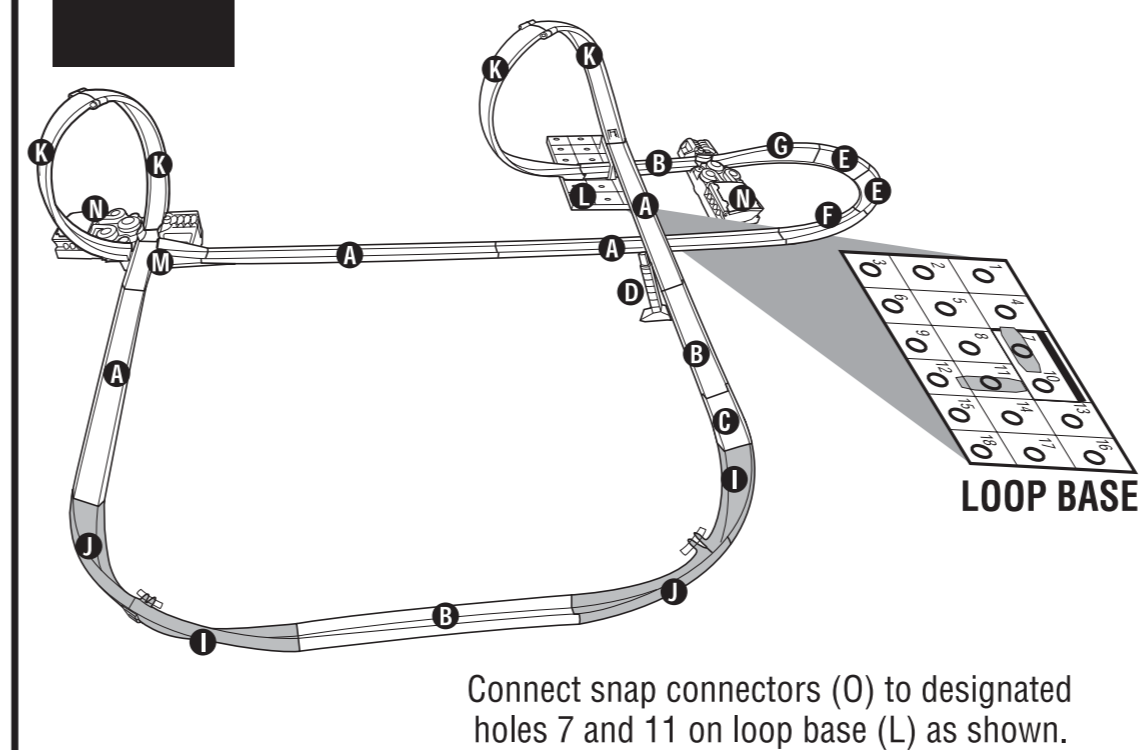
Option (7)



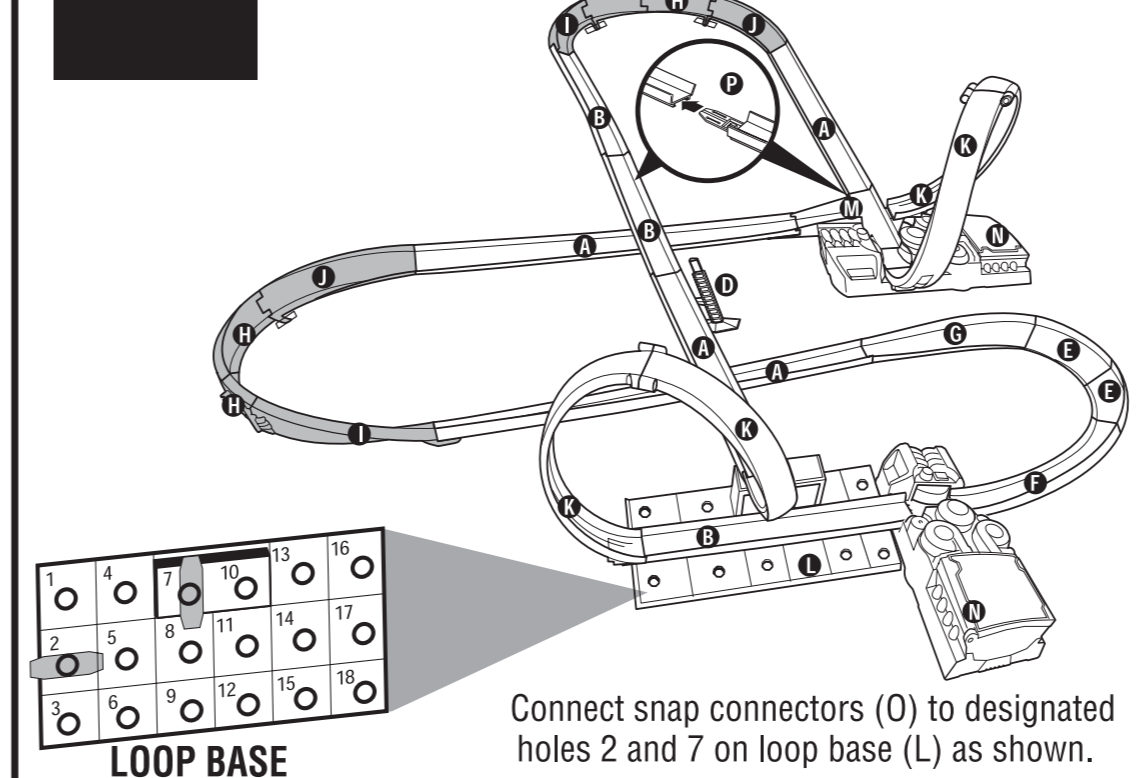
Option (8)



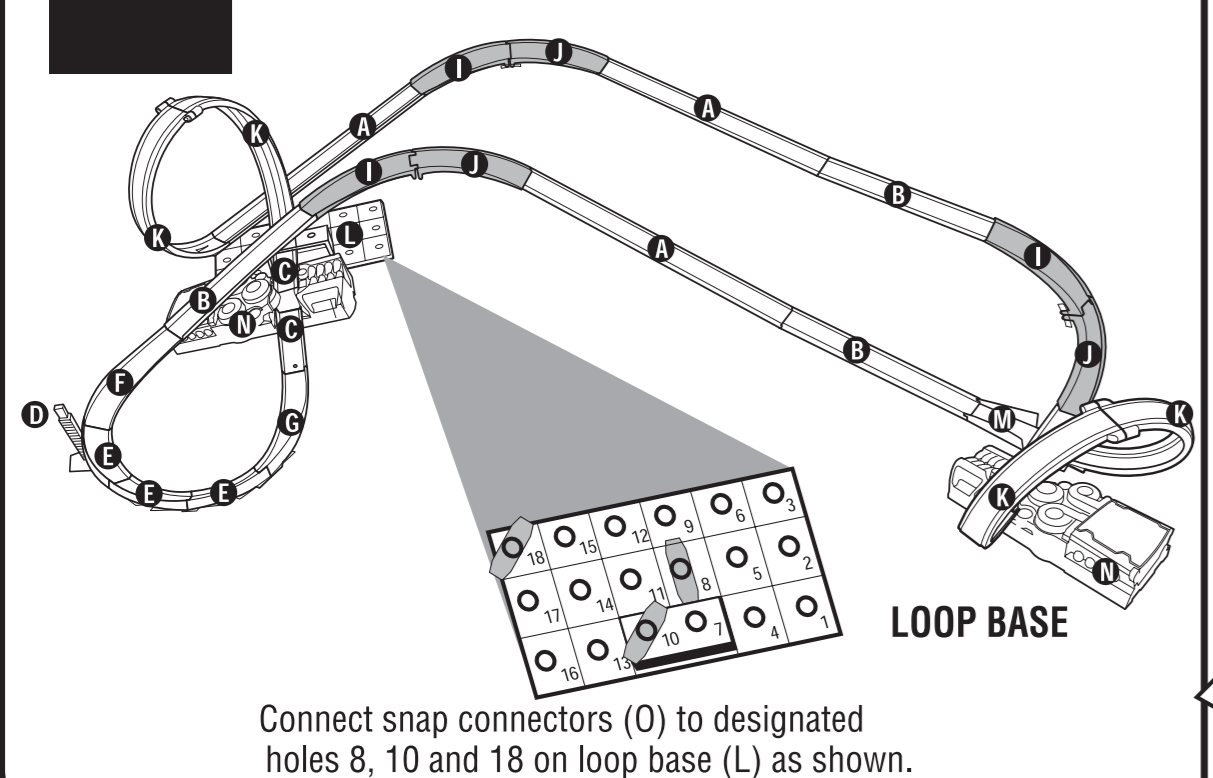
Option (9)



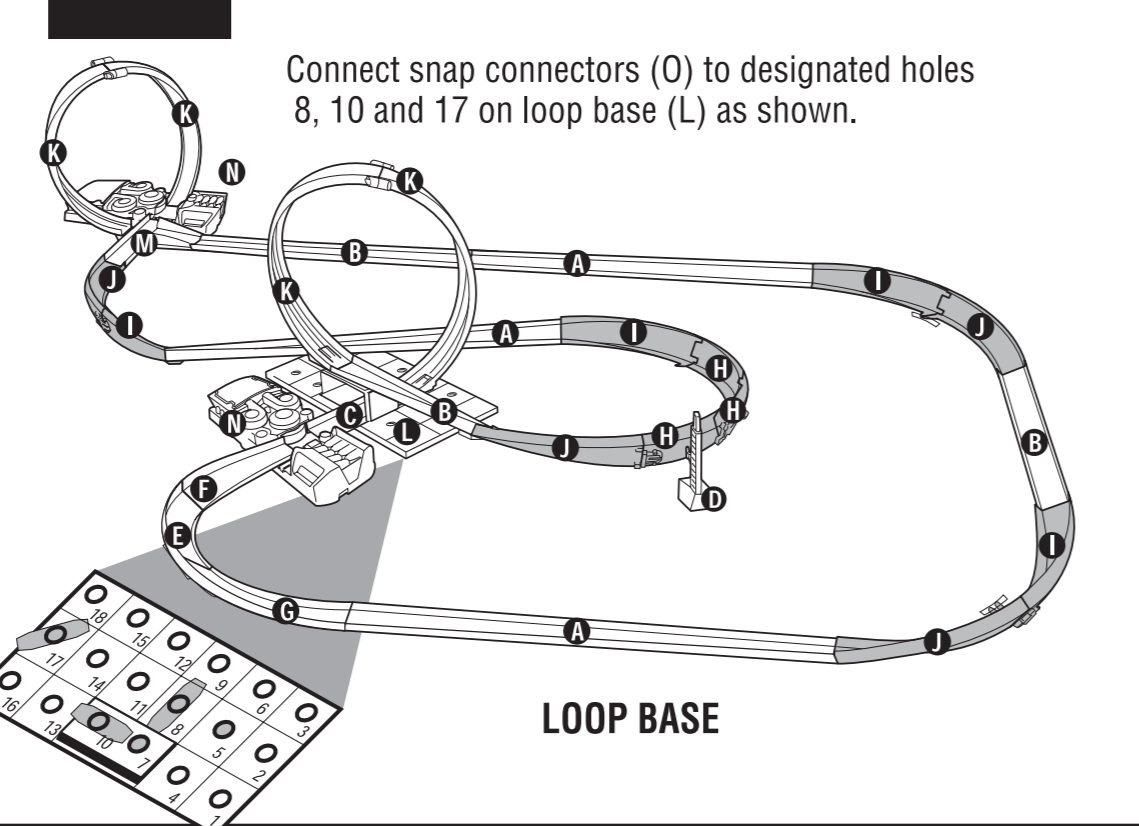
Option (10)



Option (3)

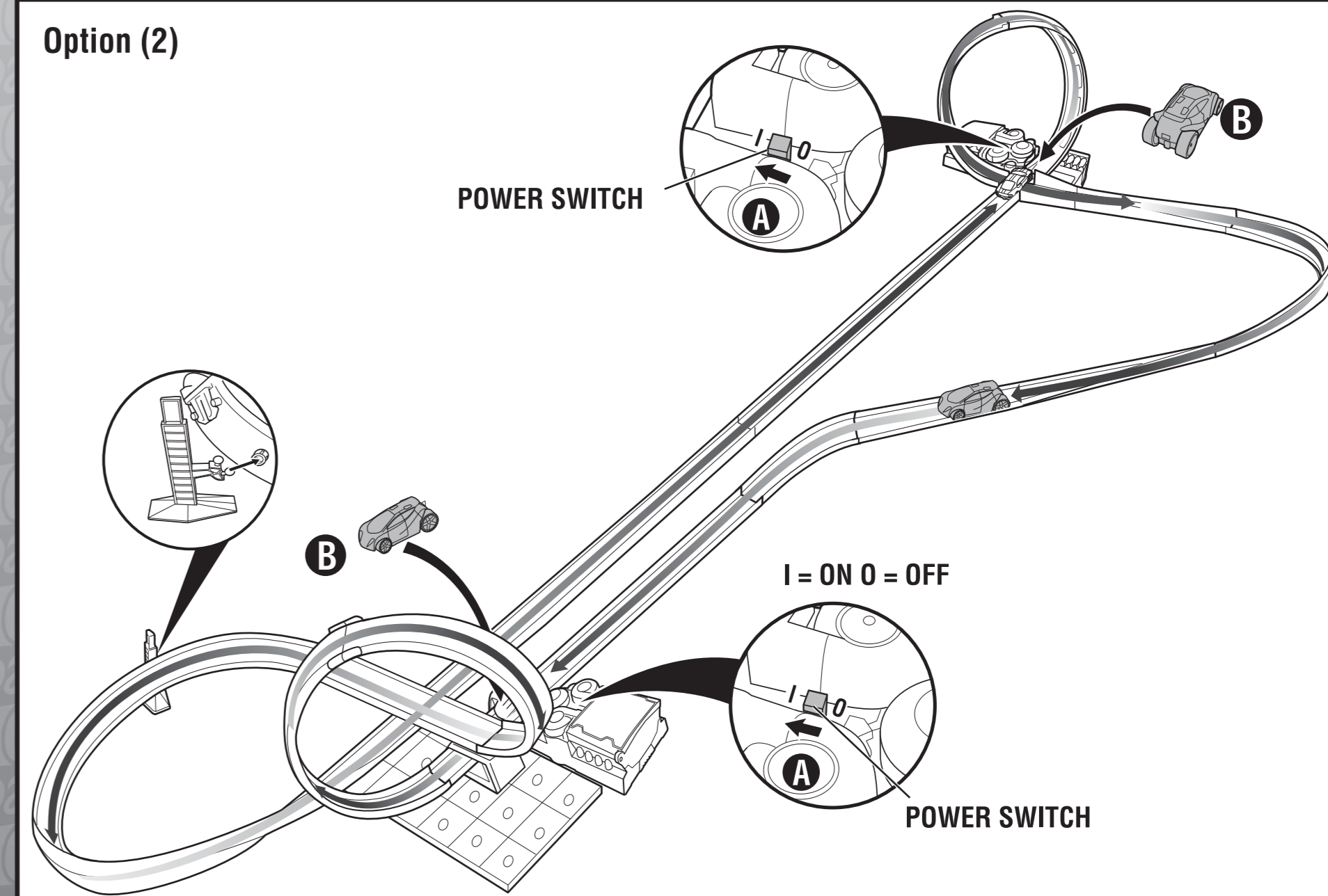


Option (5)



TO PLAY

Option (2)



©2013 Mattel. All Rights Reserved. Mattel, Inc., 636 Grand Avenue, East Aurora, NY 14052, U.S.A. Consumer Relations 1-800-524-8697. Mattel U.K. Ltd., Yamwall Business Park, Maidenhead SL6 4UB. Helpline 01628 500303. Mattel Australia Pty. Ltd., Richmond, Victoria, 3121 Consumer Advisory Service - 1 800 133 312. Mattel East Asia Ltd., Room 1106, South Tower, World Finance Centre, Harbour City, Tsimshatsui, HK. China, Zhenyuan & Dieckman China - Mattel SEA Ptd.Ltd. 1993532-P1 Lot 13.5, 13th Floor, Menara Lien Hoe, Persiaran Tropicana Golf Country Resort, 47410 PJ, Tel:03-78803817, Fax:03-78803867. service.mattel.com